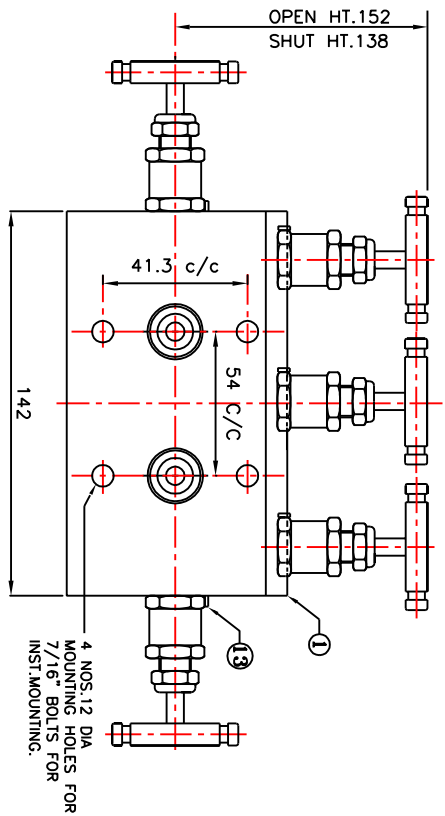
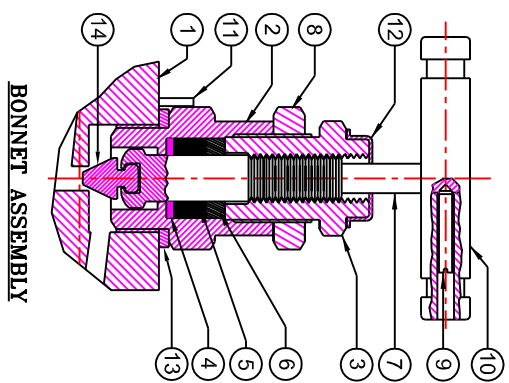


INSTRUMENT BY PASS VALVE



VIEW - 'BB'



BONNET ASSEMBLY

S.NO.	DESCRIPTION	QTY.	MATERIAL
14	NON ROTATING VEE TIP	5	A864-630
13	WASHER	5	A479-316
12	DUST CAP	5	PLASTIC I.D.
11	LOCK PIN	5	A479-316
10	HANDLE	5	A479-316
9	GRUB SCREW	5	STEEL
8	LOCK NUT	5	A479-316
7	SPINDLE	5	A479-316
6	PACKING WASHER	5	A479-316
5	PACKING	5	PTFE/GRAFOL
4	WASHER	5	A479-316
3	GLAND RETAINER	5	A479-316
2	BONNET	5	A479-316
1	BODY	1	A479-316

MATERIAL OF CONSTRUCTIONS

PANAM 5-VALVE MANIFOLD REMOTE MOUNT CONNECTION DESIGNED FOR CONNECTING SYSTEM IMPULSE LINES & TRANSMITTERS. THIS MANIFOLD CONSISTS TO 1/2" NPT FEMALE CONNECTIONS ON 54mm (2-1/8") CENTERS AND OF ONE EQUALIZER VALVE, TWO BLOCK VALVES & TWO VENT VALVE.

FEATURES:

316 S.S. BODY CONSTRUCTION FOR SUPERIOR CORROSION RESISTANCE. NON ROTATING VEE TIP PREVENTS GALING & PROMOTES REPETITIVE SHUT-OFF. OPTIONAL GRAPHOL PAKING MATERIAL IS AVAILABLE FOR HIGH TEMP. RATING 1000°F @6000 PSI

TESTING:

PNEUMATIC TEST:- EACH VALVE IS TESTED WITH NITROGEN AT 100 PSI IN ACCORDANCE WITH MSS-SP-61 FOR SEAT & PACKING LEAKAGE.
HYDRO TEST:- PERFORMED WITH PURE WATER IN ACCORDANCE WITH MSS-SP-61. BODY TESTED AT 1.5 TIMES & SEAT LEAKAGE TESTED AT 1.1 TIMES OF THE WORKING PRESSURE.

DESIGN STANDARD:

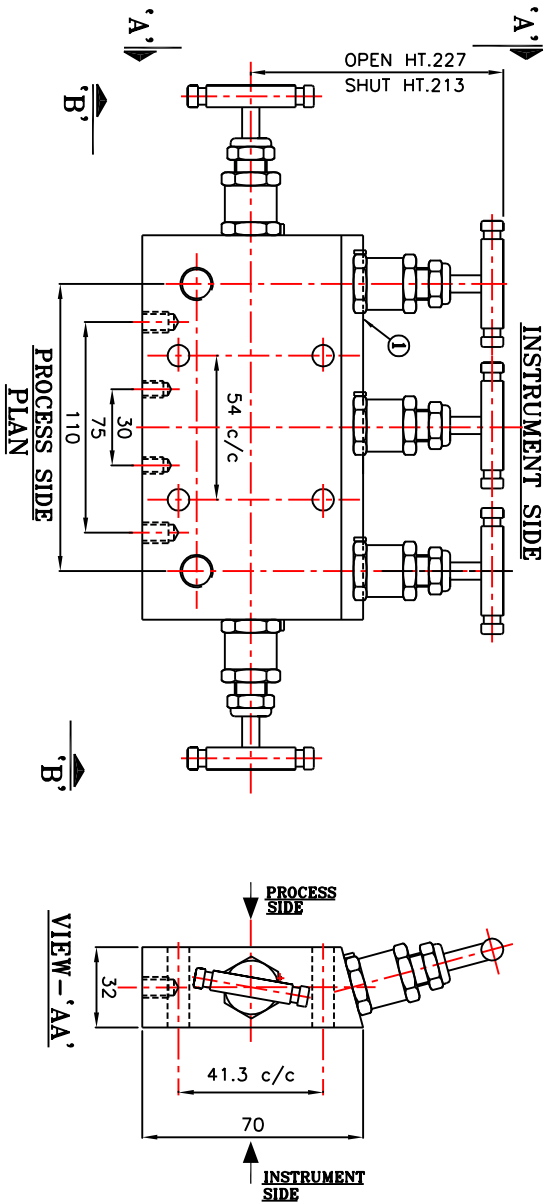
PRESSURE & TEMPERATURE RATING ARE SELECTED FROM ANSI B16.34 STANDARD CLASS VALVES BASED ON ANSI B16-CLASS 2500 OPTIONAL SOUR GAS SERVICE CONFRMS TO MADE STD. MR-01-75

ANSI B16.34

REV.	DESCRIPTION	BY	DATE

TITLE:- 5 VALVE MANIFOLDS - REMOTE MOUNT

DRN.	VPT	SCALE	NTS.
CHD.	VA	DATE	01.02.2005
APPD.	JP	DRG. NO.	5VM-SS-8-RM
			RO

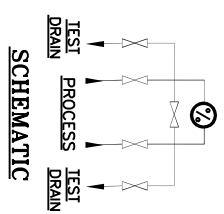


PROCESS SIDE

VIEW - 'AA'

TECHNICAL DATA			
Seat	P.r. Rat.	Temp.Rot.	Cv
METAL SEAT	6000 PSI (41300 kpa)	PTFE (-20 to 250° F (-29° to 121°C))	0.52 max.
		GRAFOL (-29° to 315°C)	4.8 mm.

NOTE:-1) DIMENSIONS ARE IN MM.FOR REFERENCE ONLY,SUBJECT TO CHANGE.
2) APPROXIMATE WEIGHT= 2.6 KG.



SCHEMATIC



PANAM ENGINEERS
AN ISO 9001 : 2000 COMPANY
MUMBAI - INDIA